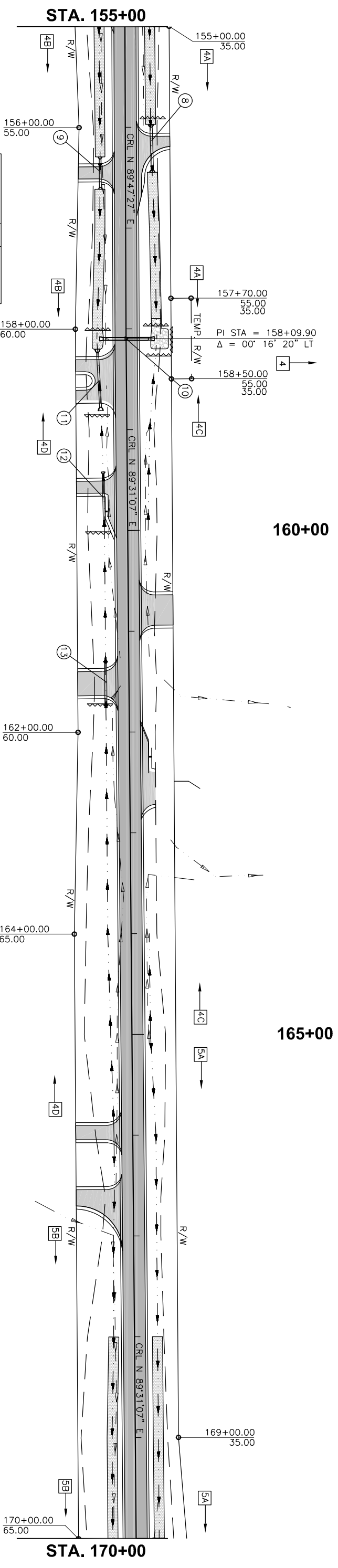
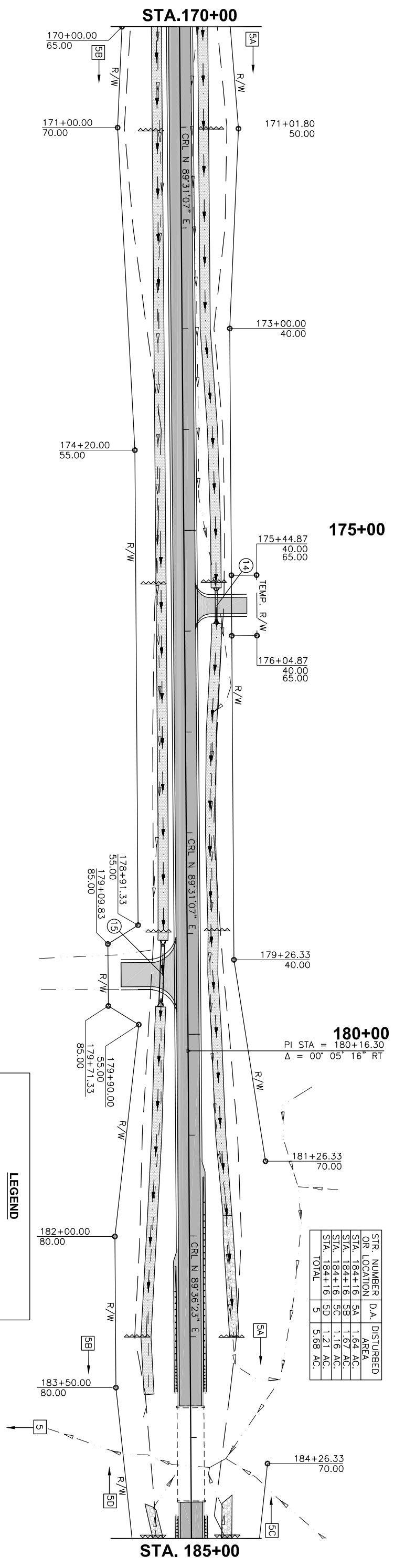


FED. ROAD DIST. NO.	PROJECT NO.	SHEET NO.	TOTAL SHEETS
6		R004	130



STR. NUMBER OR LOCATION	D.A.	DISTURBED AREA
4A	4A	1.08 AC.
4B	4B	1.26 AC.
4C	4C	0.44 AC.
4D	4D	0.73 AC.
TOTAL	4	3.51 AC.



STR. NUMBER OR LOCATION	D.A.	DISTURBED AREA
5A	5A	1.64 AC.
5B	5B	1.67 AC.
5C	5C	1.16 AC.
5D	5D	1.21 AC.
TOTAL	5	5.68 AC.

QUANTITIES  
SEE SUMMARY OF EROSION CONTROL QUANTITIES, SHEET NUMBER AX03

LEGEND	
	TEMPORARY SILT FENCE
	TEMPORARY SILT DIKE
	SOLID SLAB SOD DITCH
	NYLON MAT
	RIPRAP

OSWALT ROAD  
LOVE COUNTY  
**EROSION CONTROL PLAN**  
**SHEET 3 OF 11**  
JOB PIECE NO. 25447(04) SHEET NO. R004